

45° Ventilation bend made of EPP

# EPP-BPF-45



## Description

Ventilation bends 45° made from expanded polypropylene (EPP). Bends are produced in diameters 125, 150, 160 and 180mm. The standard wall thickness is 15mm (gray). Available on request 43mm thick (black color). Each bend is delivered with one female coupling in the set, the connection method eliminates thermal bridges.

Thermal conductivity: 0.039 W / m \* K  
Airtightness class: C  
Surface roughness: 0.077 mm

### Available materials:

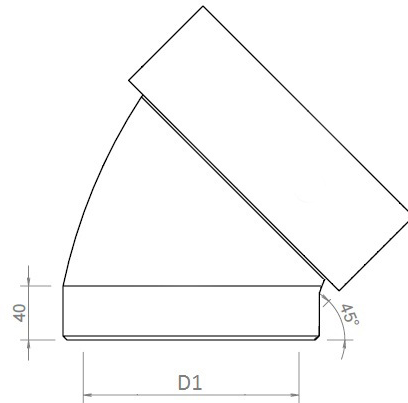
EPP-BPF-....- EPP (expanded polypropylene)

### Example of marking:

Product code: **EPP-BPF - aaa - bbb**

type \_\_\_\_\_  
diameter Ød<sub>1</sub> \_\_\_\_\_  
angle \_\_\_\_\_

## Dimensions



Product code	Diameter [mm]	Wall thickness [mm]
EPP-BPF-125-45	125	15
EPP-BPF-150-45	150	15
EPP-BPF-160-45	160	15
EPP-BPF-180-45	180	15

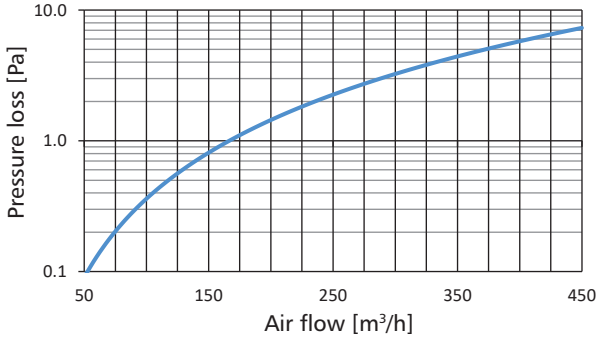
# 45° Ventilation bend made of EPP

## EPP-BPF-45

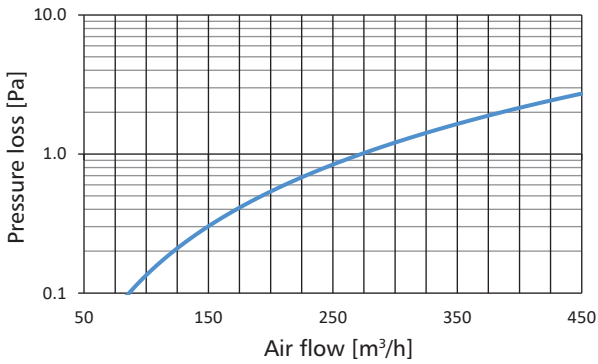
### Technical data

Pressure loss chart

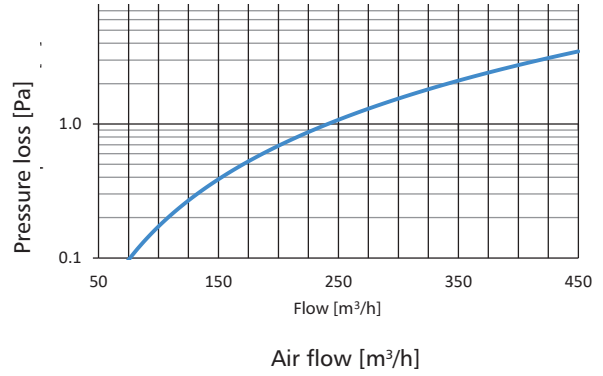
Measurement: **inner diameter: 125mm, angle: 45°**,  
temp: 24.8°C,  $P_{atm}$ : 1004 mBar,  $\rho$  (density): 1.174 kg/m<sup>3</sup>



Measurement: **inner diameter: 160mm, angle: 45°**,  
temp: 28.2°C,  $P_{atm}$ : 1015 mBar,  $\rho$  (density): 1.173 kg/m<sup>3</sup>



Measurement: **inner diameter: 150mm, angle: 45°**,  
temp: 28.5°C,  $P_{atm}$ : 1004 mBar,  $\rho$  (density): 1.159 kg/m<sup>3</sup>



Measurement: **inner diameter: 180mm, angle: 45°**,  
temp: 27.8°C,  $P_{atm}$ : 1015 mBar,  $\rho$  (density): 1.175 kg/m<sup>3</sup>

