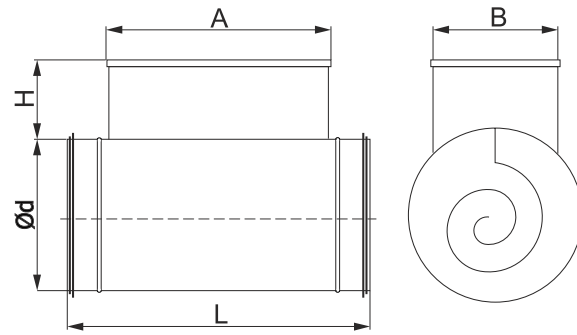


Duct electric heater

HDE



Dimensions



Description

HDE duct electric heaters are designed for use in ventilation systems which require raising or stabilizing the supplied air temperature.

The heater's enclosure is made from galvanized steel sheet. The heating resistors are made from stainless steel. The heating resistors form a spiral to ensure homogeneous heating of the air stream volume passing through them.

The external terminal box houses the connection terminal strip and the overtemperature protection.

The overtemperature protection is a system of two thermostats. The first thermostat is an automatic-reset temperature limiter set to trip at +60°C. The other thermostat is a manual temperature limiter set to trip at +90°C (once tripped, this device needs to be reset by hand).

The HDE ducted electric heater features EPDM gaskets at the connection ends.

The HDE can be installed in a vertical or horizontal duct, irrespective of the air flow direction.

The HDE ducted electric heater supports external temperature controllers and the PULSER controller.

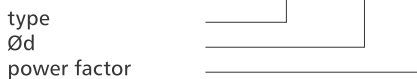
Note:

When choosing a ducted electric heater, note that the supplied air temperature cannot exceed 40°C.

The minimum air flow rate across the ducted electric heater must be 1.5 m/s.

Product code example

Product code: HDE - 125 - 1,2



Power factor: 1.2 x 1000 = 1200 W

Type	Ød (mm)	A (mm)	B (mm)	H (mm)	L (mm)
HDE-100	100	280	100	110	380
HDE-125	125	280	100	110	380
HDE-150	150	280	120	110	380
HDE-160	160	280	120	110	380
HDE-200	200	300	160	110	400
HDE-250	250	300	190	110	400
HDE-315	315	300	190	110	400
HDE-355	355	300	240	110	430
HDE-400	400	300	240	110	430

Duct electric heater

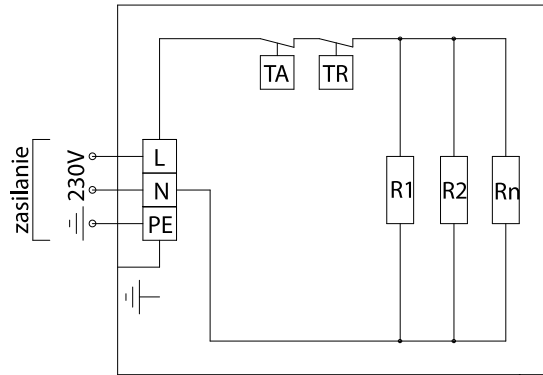
HDE

Technical specifications

Type	Power (W)	Voltage (V)	Number of heating resistors (pcs)
HDE-100-0,3	300	1 x 230	1
HDE-100-0,6	600	1 x 230	2
HDE-100-0,9	900	1 x 230	3
HDE-100-1,2	1200	1 x 230	4
HDE-125-0,3	300	1 x 230	1
HDE-125-0,6	600	1 x 230	2
HDE-125-0,9	900	1 x 230	3
HDE-125-1,2	1200	1 x 230	4
HDE-125-1,5	1500	1 x 230	3
HDE-150-0,5	500	1 x 230	1
HDE-150-1,0	1000	1 x 230	2
HDE-150-1,5	1500	1 x 230	3
HDE-150-2,0	2000	1 x 230	4
HDE-160-0,5	500	1 x 230	1
HDE-160-1,0	1000	1 x 230	2
HDE-160-1,5	1500	1 x 230	3
HDE-160-2,0	2000	1 x 230	4
HDE-200-0,5	500	1 x 230	1
HDE-200-1,0	1000	1 x 230	2
HDE-200-1,5	1500	1 x 230	3
HDE-200-2,0	2000	1 x 230	4
HDE-200-3,0	3000	1 x 230	2
HDE-200-4,5	4500	3 x 400	3
HDE-250-0,5	500	1 x 230	1
HDE-250-1,0	1000	1 x 230	2
HDE-250-1,5	1500	1 x 230	3
HDE-250-2,0	2000	1 x 230	4
HDE-250-3,0	3000	1 x 230	2
HDE-250-4,5	4500	3 x 400	3
HDE-315-3,0	3000	1 x 230	2
HDE-315-4,5	4500	3 x 400	3
HDE-315-9,0	9000	3 x 400	6
hde-355-4,5	4500	3 X 400	3
HDE-355-9,0	9000	3 x 400	3
HDE-400-4,5	4500	3 X 400	3
HDE-400-9,0	9000	3 x 400	3
HDE-400-18,0	18000	3 x 400	6

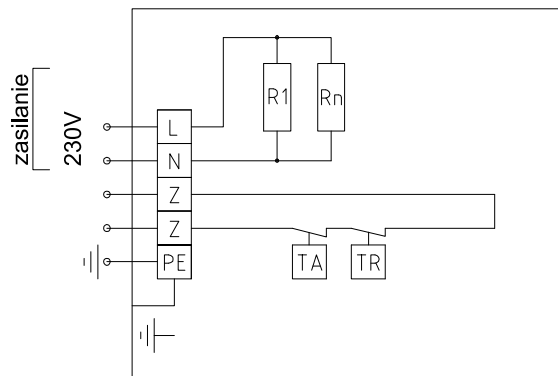
Connection diagram

Single-phase HDE ducted electric heater with a total power ≤ 2000 W



- L, N - 1 x 230V, 50 Hz single-phase power supply
- PE - protective conductor
- R1, R2...Rn - heating resistors
- TA - automatic temperature limiter, trips at +60°C (with automatic reset)
- TR - temperature limiter with manual reset, trips at +90°C (non-automatic)

Single-phase HDE ducted electric heater with a total power ≤ 3000 W



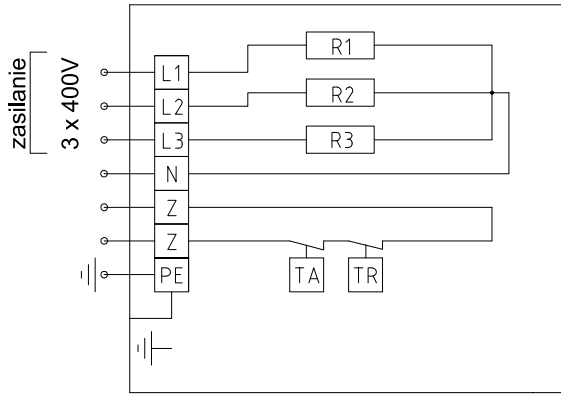
- L, N - 1 x 230V, 50 Hz single-phase power supply
- PE - protective conductor
- R1, R2...Rn - heating resistors
- Z-Z - temperature limiter terminals
- TA - automatic temperature limiter, trips at +60°C (with automatic reset)
- TR - temperature limiter with manual reset, trips at +90°C (non-automatic)

Duct electric heater

HDE

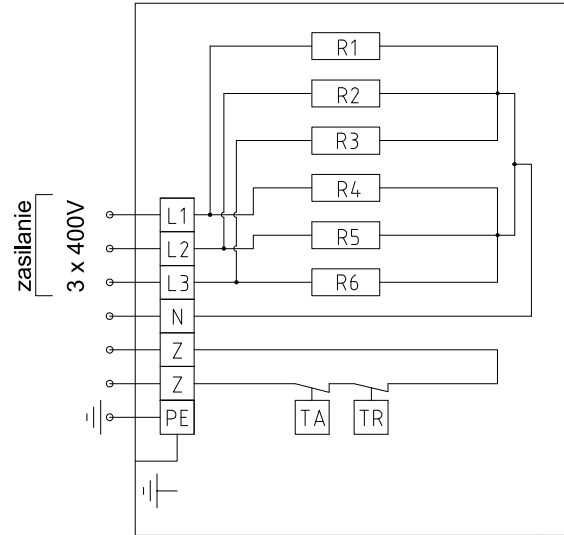
Connection diagram

Single-phase HDE duct electric heater with a total power ≤ 4500 W / 9000 W



- L1, L2, L3, N - 3 x 400V, 50 Hz three-phase power supply
- PE - protective conductor
- R1, R2...Rn - heating resistors
- Z-Z - temperature limiter terminals
- TA - automatic temperature limiter, trips at +60°C (with automatic reset)
- TR - temperature limiter with manual reset, trips at +90°C (non-automatic)

Single-phase HDE duct electric heater with a total power ≤ 9000 W / 18000 W



- L1, L2, L3, N - 3 x 400V, 50 Hz three-phase power supply
- PE - protective conductor
- R1, R2...Rn - heating resistors
- Z-Z - temperature limiter terminals
- TA - automatic temperature limiter, trips at +60°C (with automatic reset)
- TR - temperature limiter with manual reset, trips at +90°C (non-automatic)

Technical specifications

Selection chart for HDE ducted electric heaters with a maximum total power of 2000 W

